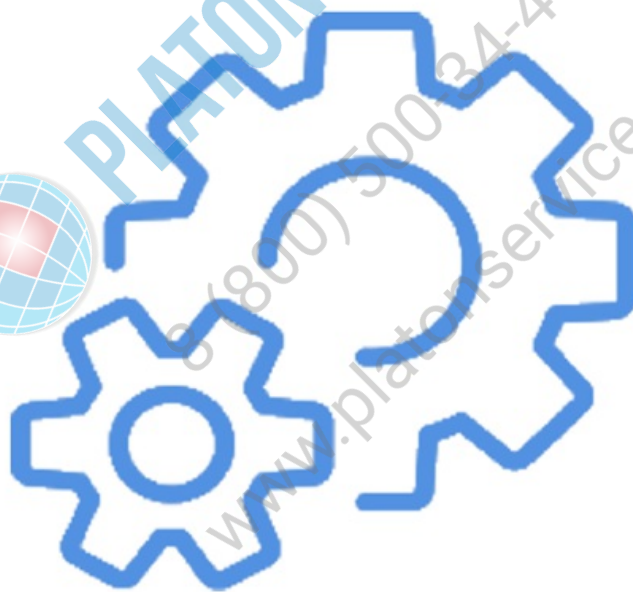


**cod.DW119E**

data:25/01/2023

**Catálogo ricambi  
Spare parts catalog  
Catalogue de pièces détachées  
Ersatzteilkatalog  
Catálogo de repuestos  
Catálogo de peças de reposição  
Каталог запасных частей**

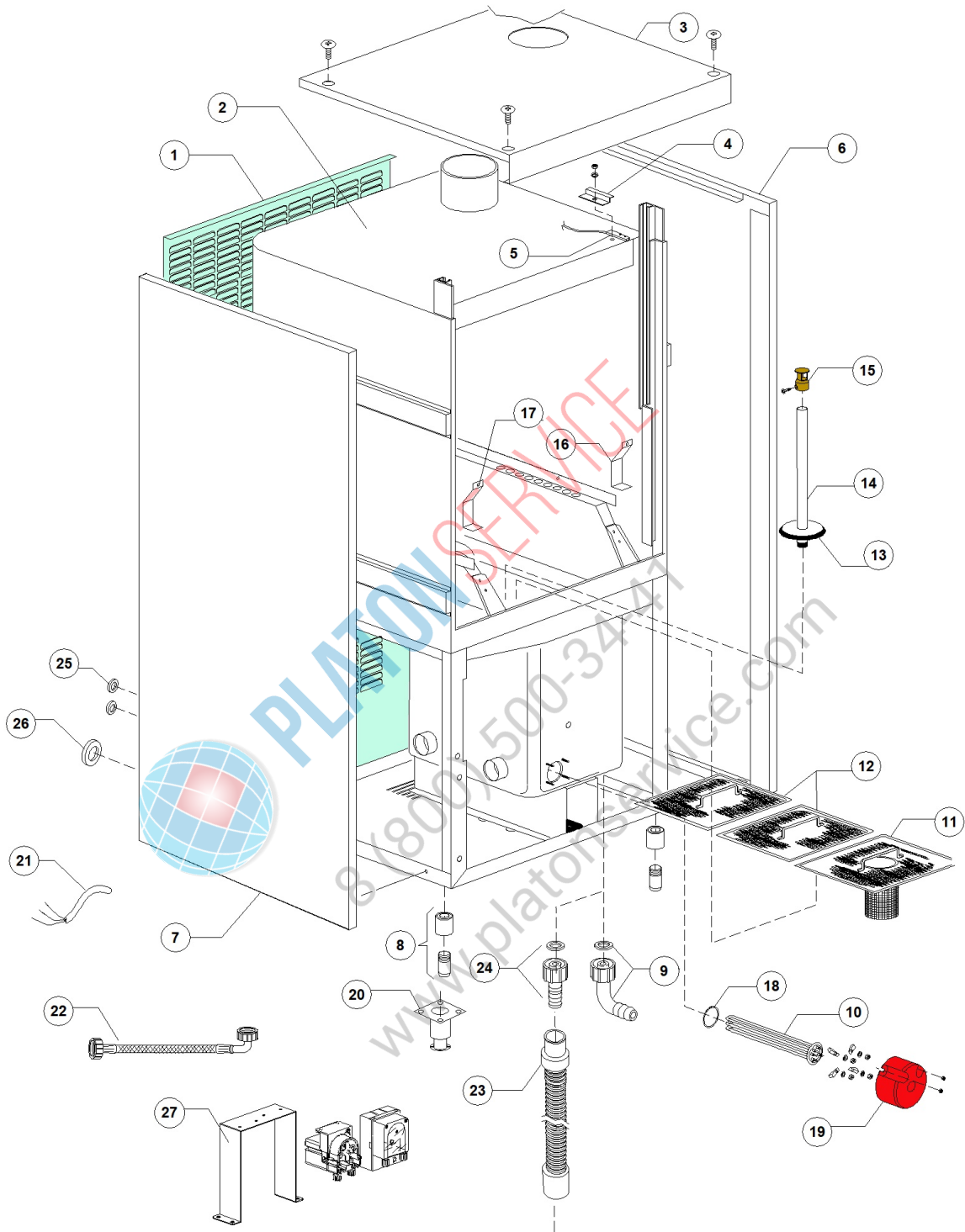
**LP3 S PLUS XP DDE PAP 380-400/3N/50**



**S/N:DWI1000856**

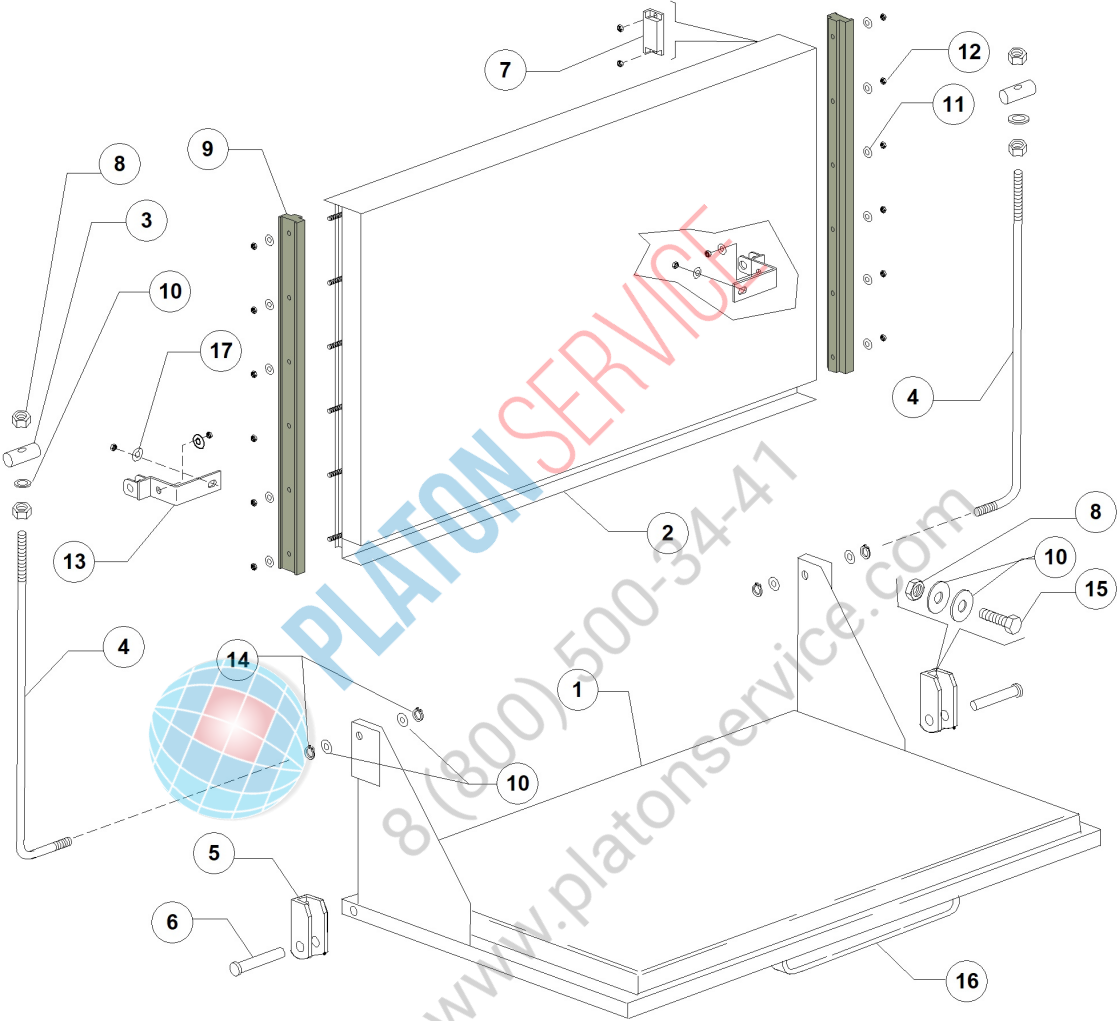


LP3 S PLUS XP DDE PAP 380-400/3N/50 - DWI100856 - Gruppo carrozzeria - DW119E



LP3 S PLUS XP DDE PAP 380-400/3N/50 - DWI1000856 - Gruppo carrozzeria - DW119E

Pos.	Codice	Descrizione	Description
1	DW92004	SCHIENALE P3S	
2	DW92000	#ASS.CARROZZERIA+PORTE P3S	
3	DW92005	COPERCHIO P3S	
4	DW3009112	PIEG. SUPPORTO MAGNETE PER PORTA	ECONOMIZER MICROSWITCH SUPPORT
5	DW3003112	REED MICRO PORTA E530	MAGNETIC REED SWITCH
6	DW91002	FIANCO LATERALE DX P2S-P3S	
7	DW91003	FIANCO LATERALE SX P2S-P3S	
8	DW80116	"PIEDINO 2" REG. 112-215 A304"	"ADJUSTABLE FOOT 112-215 2""
9	DW15613	"GOMITO NYLON SCARICO 1"1/4X32"	"DRAIN ELBOW 1" 1/4X32"
10	DW30001010	RESIST.6000/6530W 230/240V 3	6000/6530W 230/240V 3 HEATING ELEM.
11	DW11600906	FILTRO VASCA ANT. G12/03 CESTELLO	TANK FRONT FILTER
12	DW11600907	FILTRO VASCA POS. G12/03 & 11/03	TANK BACK FILTER
13	DW11600002	GUARNIZIONE A FLANGIA T.P.GASTRO12S	FLANGE GASKET G12S
14	DW91101	#TUBO TROPPO PIENO P2S-P3S	
15	DW11600019	FINALE PER TROPPOPIENO G 12S GRIGIO	OVERFLOW PIPE PLUG
16	DW22254	PARASP.INF.SX/DX LP1-LP1/800-S-S8	LOWER SPLASH GUARD
17	DW22254	PARASP.INF.SX/DX LP1-LP1/800-S-S8	LOWER SPLASH GUARD
18	DW13015	GUARNIZIONE 6225 OR 160 NBR	6225 O-RING 160 NBR
19	DW75311	CUFFIOTTO PER RESISTENZA 26/03/97	HEATING ELEMENT COVER
21	DW80200	CAVO ALIMENTAZIONE 5X4X3400	CABLE 5X4X3400
22	DW10726	CANNA CARICO PICC. WRAS m1,5x3/4 EN61770	LOAD PIPE WRAS M1,5x3/4 EN61770
23	DW10200112	CANNA SCARICO DIAM.32 GROSSA	DRAIN HOSE D.32
24	DW15613/A	"PORTAGOMM.SCARICO 1"1/4X32 DRITTO"	"STRAIGHT HOSE CONNECTOR 1"1/4X32"
25	DW13323	PASSACAVO IN GOMMA D.13	RUBBER FAIRLEAD D.13 (MIN. 2 PCS)
26	DW13324	PASSACAVO GOMMA D.46X50	RUBBER FAIRLEAD D.46X50

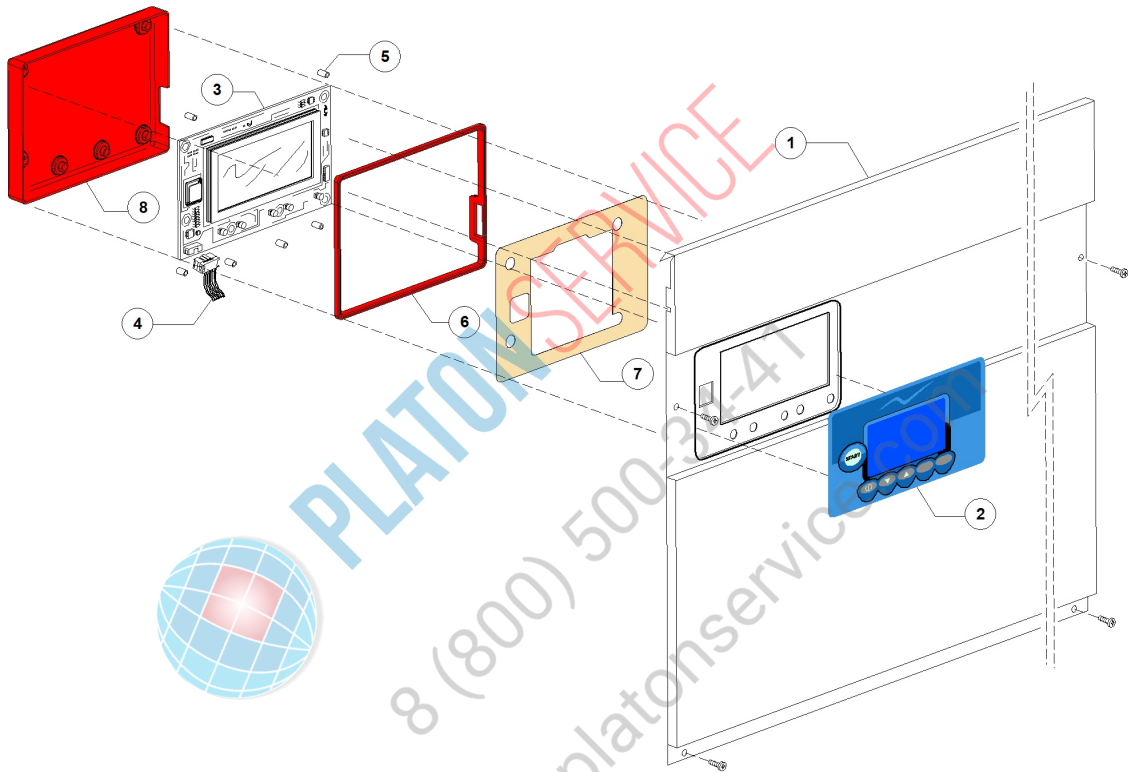


LP3 S PLUS XP DDE PAP 380-400/3N/50 - DWI1000856 - Porta - DW119E

Pos.	Codice	Descrizione	Description
1	DW92000/A	#PORTA INFERIORE COMPLETA P3S	
2	DW92000/B	#PORTA SUPERIORE COMPLETA P3S	
3	DW22219	CILINDRETTO PER PORTA LP	SMALL DOOR CYLINDERS
4	DW22220	ASTA PORTA LP1/LP2/LP3/P2S/P3S/GR06	DOOR ROD
5	DW22206/B	SQUADRA PORTA LP SP.20/10	DOOR HINGE
6	DW22220/A	PERNO INOX PER CERNIERA PORTA LP	DOOR HINGE S/S STUD
7	DW80232	MAGNETE PER REED PER LP	REED MAGNETIC UNIC
8	DW11721	DADO M6 AUTOBL.INOX UNI 7473 DIN982	S/S SELF-LOCKING NUT M6 DIN982 (MIN. 10
9	DW90024	PATTINI SCORRIM.PORTA SUP. LP 1S	DOOR SLIDING GUIDE
10	DW11177	RONDELLA 6X12 INOX PIANA UNI6592 DIN125	6X12 S/S PLAIN WASHER UNI6592 DIN125
11	DW11176	RONDELLA 5X10 PIANA INOX UNI6592 DIN125	5X10 S/S PLAIN WASHER UNI6592 DIN125
12	DW11169	DADO M5 AUTOBLOCCANTE INOX DIN 982	S/S SELF-LOCKING NUT M5 DIN982
13	DW90916	#STAFFA MOV.PORTA SUP.DX/SX LP1 S-S8	DOOR MOVEMENT SUPPORT
14	DW11815	SEEGER DIAM.8 INOX UNI7435	SNAP RING D.8 S/S
15	DW11104/B	VITE INOX M6x16 TE DIN 933	M6X16 TE S/S SCREW DIN933
17	DW11185	RONDELLA 8X16 PIANA INOX DIN125	8X16 S/S PLANE WASHER DIN125



PLATON SERVICE  
 8 (800) 500-34-47  
 www.platonservice.com



**LP3 S PLUS XP DDE PAP 380-400/3N/50 - DWI1000856 - Pannello comandi - DW119E**

Pos.	Codice	Descrizione	Description
2	DW96704	MOSTR.TAST.MEMBR.DIHR DISPLAY 240X160	SELF-ADHESIVE SILK-SCREEN PRINTED PLATE
3	DW50650	TASTIERA CON DISPLAY 240X160 VERS.09	KEY BOARD WITH DISPLAY 240X160 VERS.09
4	DW50651	"PIATTINA MULTIFILO "F16p" L1000"	RIBBON CABLE F16p L1000
5	DW50561	DIST. SCHEDE ELETTR. 2009 D.8X10	MAINBOARD SPACER D.8X10
6	DW50650/B	GUARNIZIONE PER SCATOLA 50650/A	PROTECTION BOX GASKET DW50650/A
7	DW96716	PROTEZ. ISOLANTE ADES. DISPLAY 240X160	PUSH BUTTON PANEL INSULATING PROTECTION
8	DW50650/A	SCATOLA PROT. SCHEDA 50650 (168X122X19)	ELECTRONIC BOARD PROTECTION BOX 50650

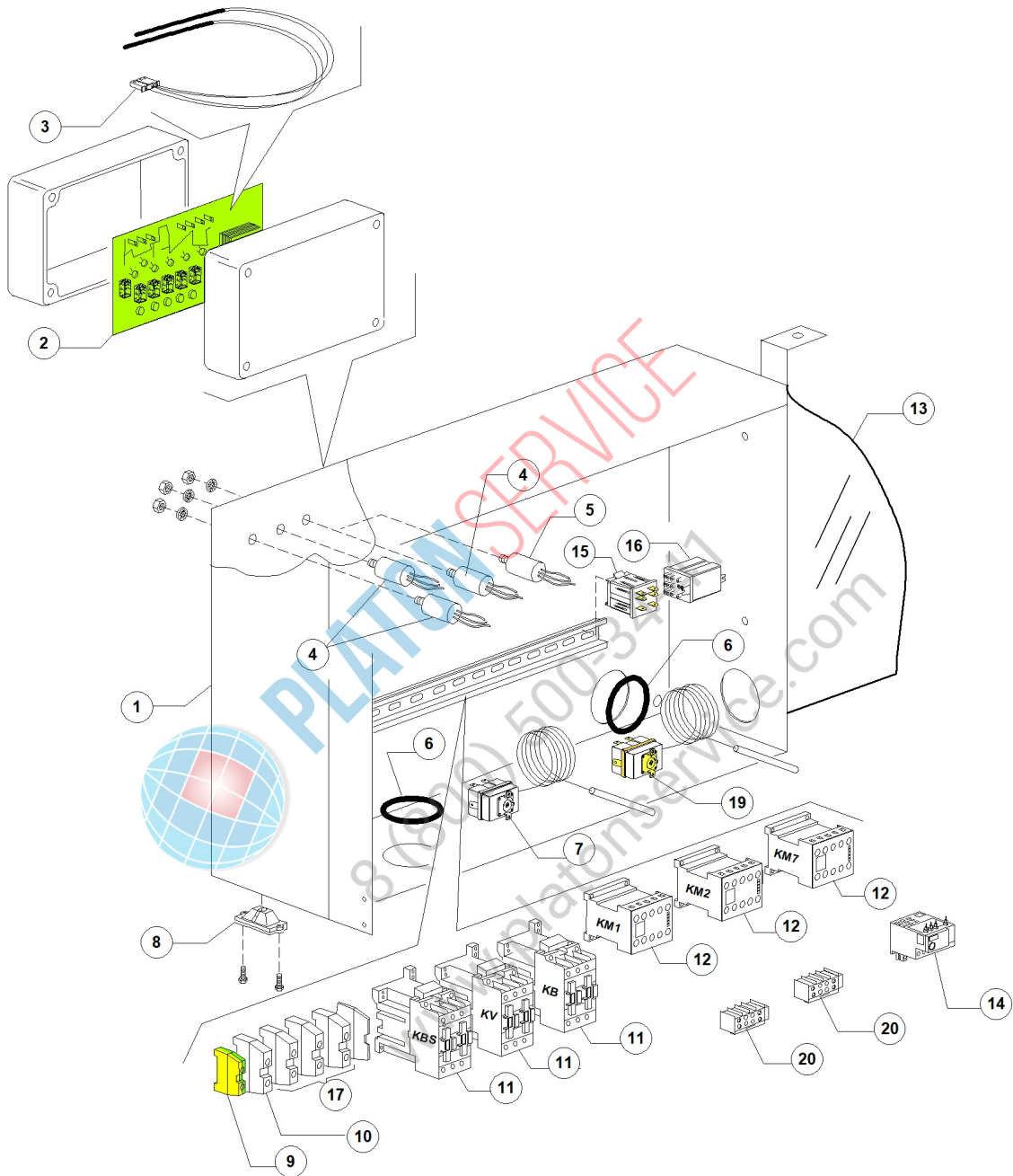


**PLATON SERVICE**

8 (800) 500-34-41

[www.platonservice.com](http://www.platonservice.com)

LP3 S PLUS XP DDE PAP 380-400/3N/50 - DWI1000856 - Componenti elettrici - DW119E



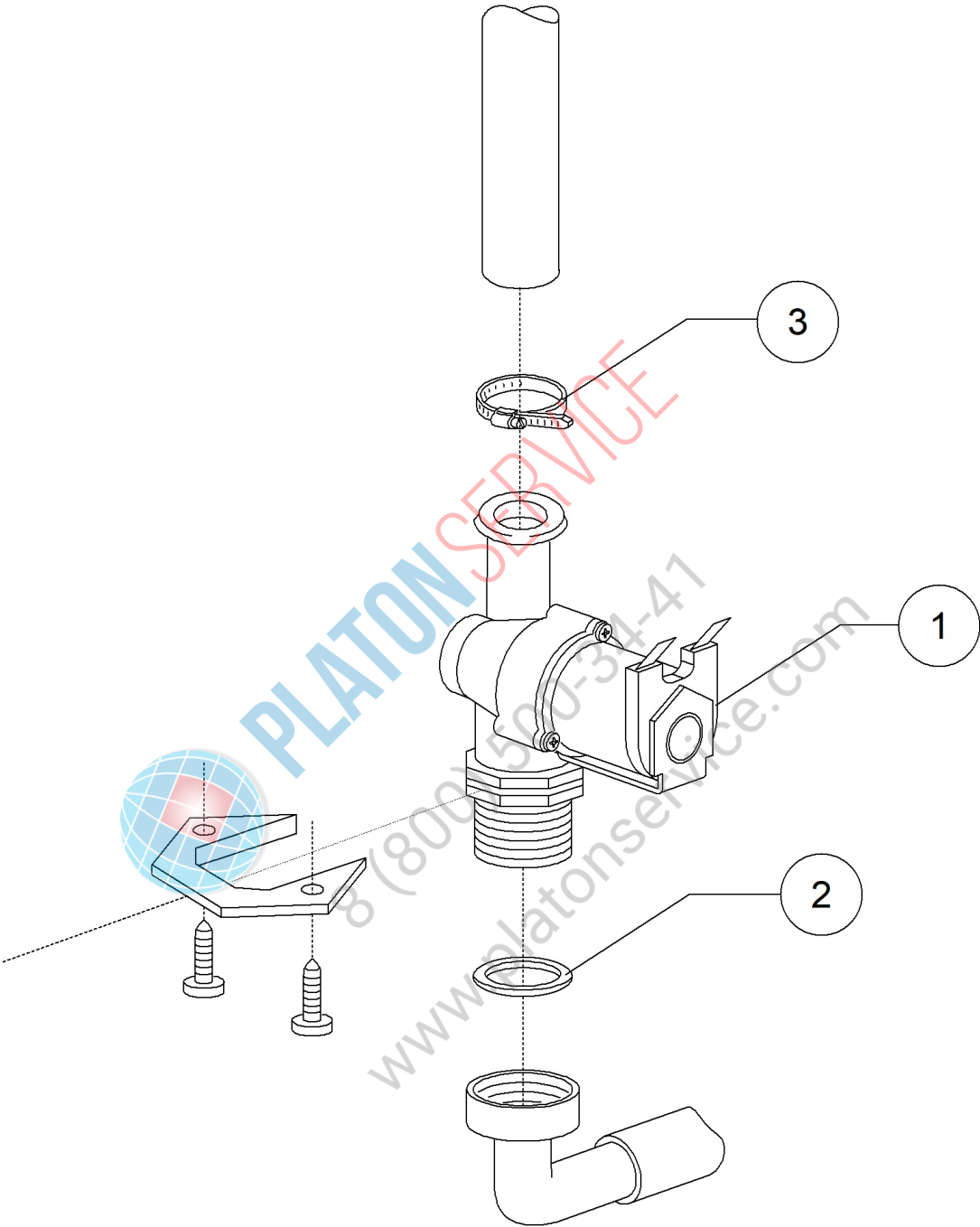


**LP3 S PLUS XP DDE PAP 380-400/3N/50 - DWI1000856 - Componenti elettrici - DW119E**

Pos.	Codice	Descrizione	Description
1	DW91001	PORTACOMPONENTI P2S-P3S-P4S8-GR/06-GR/09	ELECTRIC COMPONENTS PANEL POT/GRANULES
2	DW91120	SCHEDA MADRE P2S-P3S-P4S8 PLUS 2009 (BL)	
3	DW50562	SONDA TERMOSTATO SCHEDA DIHRECO2	THERMOSTAT PROBE DIHRECO2
4	DW15149	FILTRO ANTIDIS.F3 (CX0.47MF)	ANTIJAMMING FILTER F3 (CX0.47MF)
6	DW13324	PASSACAVO GOMMA D.46X50	RUBBER FAIRLEAD D.46X50
7	DW2000430	TERMOSTATO DI SICUR. 110 1500PVC	SAFETY THERMOSTAT 110 1500PVC
8	DW15065/A	FISSACAVO PER VITI AUTOF (NR.2x11007)	CABLE-FASTENER WITH SCREW
9	DW3006173	MORSETTO 16mmqSL-16 GIALLO-VERDE	TERMINAL 16mmq YELLOW/GREEN
10	DW3006155	MORSETTO NEUTRO 16mmq BLU	TERMINAL 16mmq BLEU
11	DW10300050	TELERUTT. 25A/12A 4NA 230V 50-60HZ	CONTACTOR 25A/12A 4NA 230V 50-60HZ
12	DW15086	TELERUTTORE 230V 50/60Hz 4C AC3(6A)	CONTACTOR 230V 50/60Hz 4C AC3(6A)
13	DW11600039	PROTEZ. COMPON. ELET. G12 415X285X1	ELECTRICAL COMPONENTS PROTECTION
16	DW560301	RELE'FINDER 230V 50/60Hz GUIDA DIN	RELAY 230V 50/60Hz DIN RAIL
17	DW3006082	MORSETTO 16mmqSL-16	TERMINAL 16mmq
20	DW3006068	CONTATTI AUSI.X MC9.10 24V 1NA1NO	MC9 AUXILIARY CONTACT 1NO-1NC



PLATON SERVICE  
 8 (800) 500-34-41  
 www.platonservice.com



**LP3 S PLUS XP DDE PAP 380-400/3N/50 - DWI1000856 - Valvola di carico - DW119E**

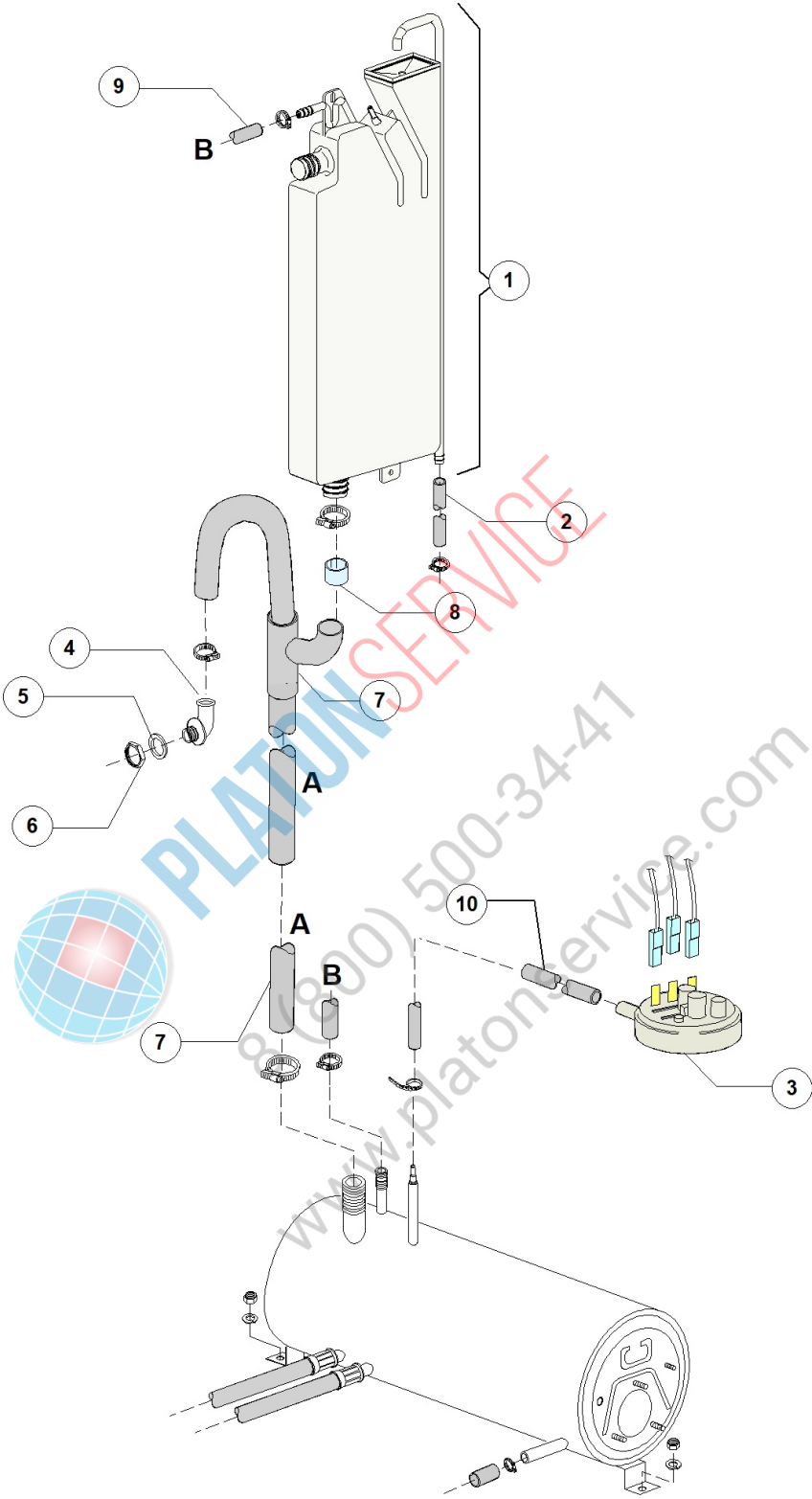
Pos.	Codice	Descrizione	Description
1	DW10703	ELETTROV. SING. H20 230V DIS.LS036	SINGLE SOLENOID VALVE H20 230V
2	DW13307	GUARNIZ. 3/4 CARICO H20 DIS.LS061	GUARNIZ. 3/4 CARICO H20 DIS.LS061
3	DW11807	FASCETTE AISI 430 12/22	CLAMP 12/22 AISI 430



**PLATON SERVICE**

8 (800) 500-34-41

[www.platonservice.com](http://www.platonservice.com)



LP3 S PLUS XP DDE PAP 380-400/3N/50 - DWI1000856 - Break Tank - DW119E

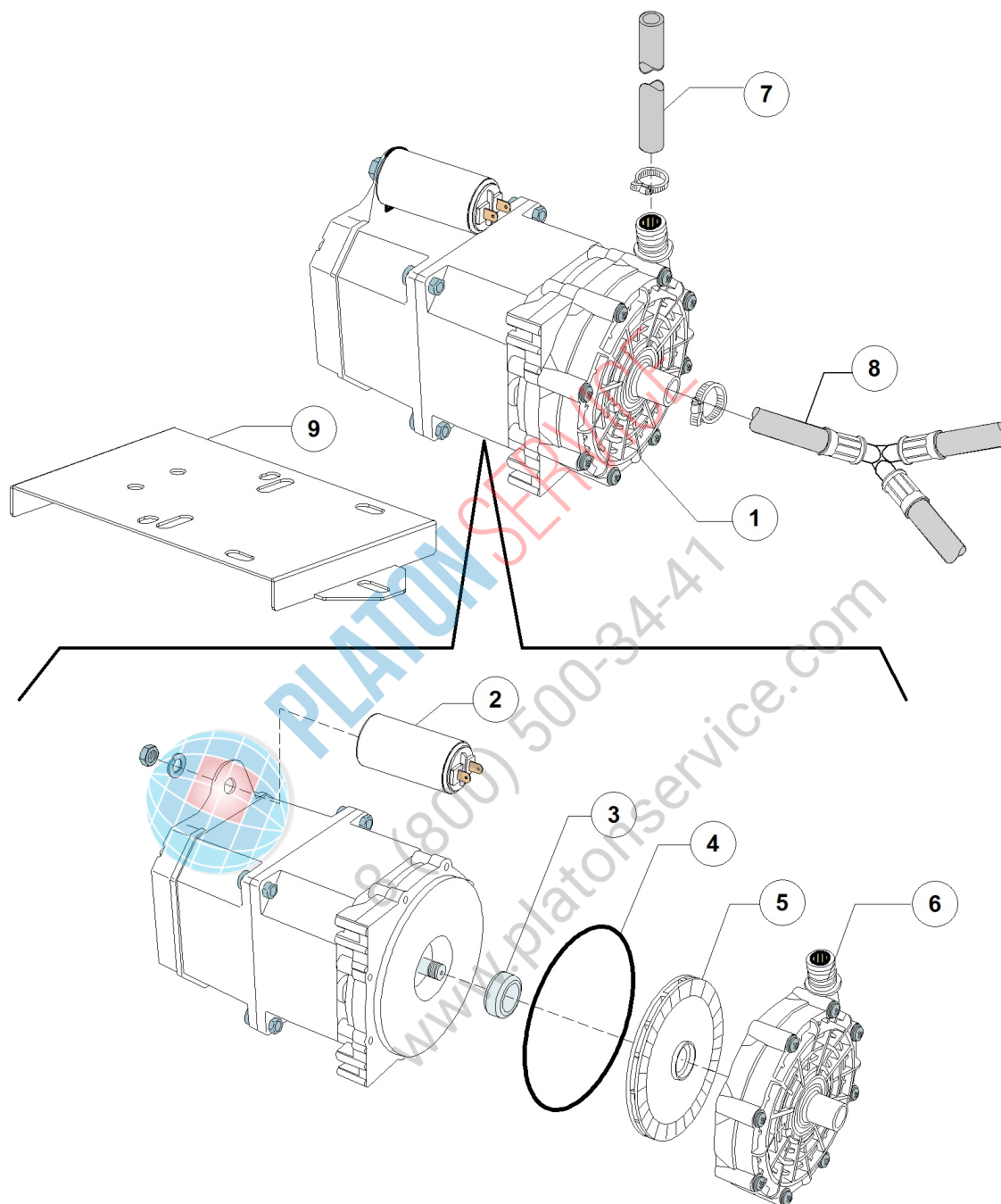
Pos.	Codice	Descrizione	Description
1	DW15720	ASSIEME BREAK TANK 3.5	BREAK TANK ASSEMBLY 3.5LT
2	DW2907352	TUBO GOMMA PVC WRAS BT	PVC WRAS RUBBER HOSE
3	DW10706/A	"PRESSOSTATO "EL." 46-26"	PRESSURE SWITCH 46-26
4	DW10701	GOMITO SCARICO DIS.LS035	DRAIN ELBOW
5	DW13305	GUARN.GOM.SCARICO 44x32x3 DIS.LS061	O RING FOR DRAIN ELBOW 44x32x3 DIS.LS061
6	DW11701/A	DADO INOX PER PIL. SCAR.	S/S NUT
7	DW91112	MAN.CARICO/SICUREZZA P2S-P3S-P4S8	LOADING/SAFETY PIPES ASSEMBLY
8	DW12533	RINFORZO COLLARE USCITA BREAK TANK	BREAK TANK OUTLET COLLAR REINFORCEMENT
9	DW2907351	TUBO GOMMA EPDM 11,5X19	11,5X19 EPDM RUBBER HOSE
10	DW14508	TUBO EPDM 4.5X9 PER PRESSOSTATO	EPDM HOSE 4.5X9 FOR PRESSURE SWITCH



PLATON SERVICE

8 (800) 500-34-41

www.platonservice.com



LP3 S PLUS XP DDE PAP 380-400/3N/50 - DWI1000856 - Pompa risciaquo / PAP - DW119E

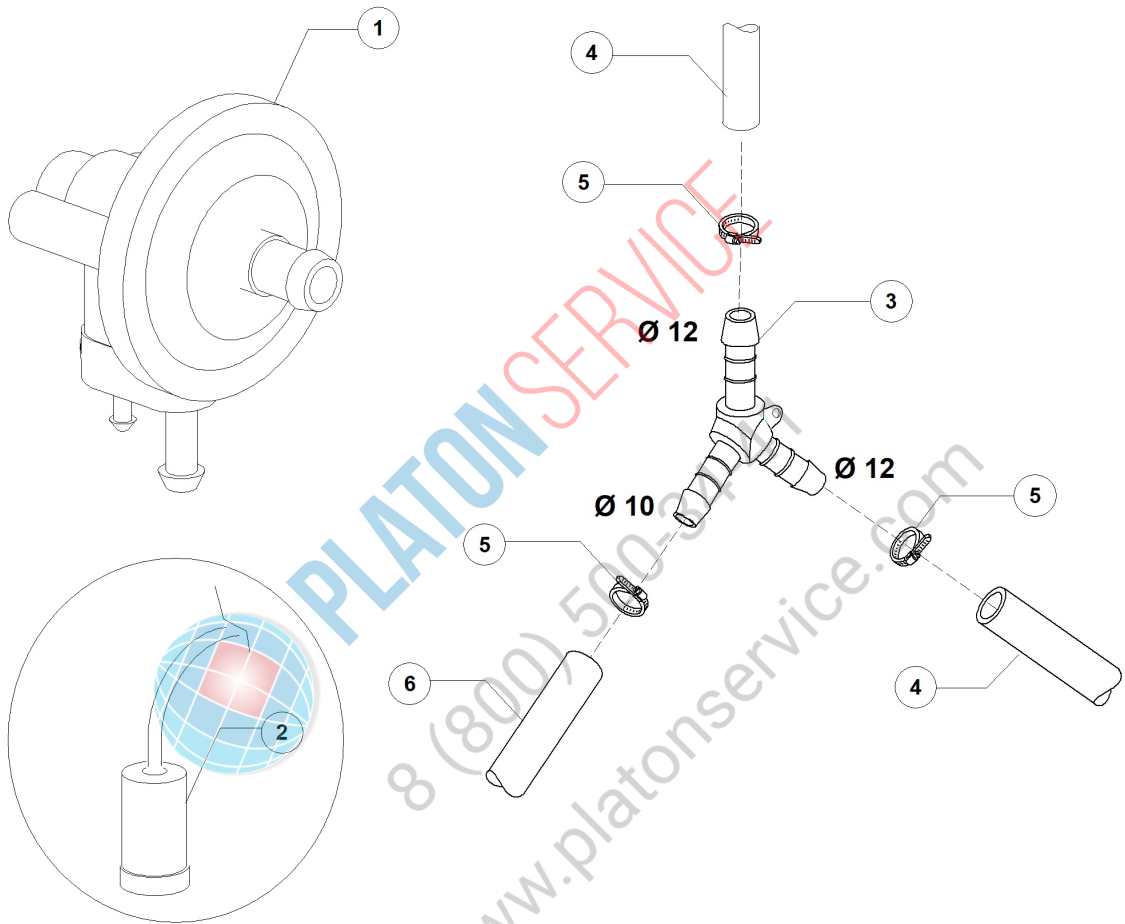
Pos.	Codice	Descrizione	Description
1	DW15100/DO	POMPA RISCIAQUO 220-240/50 (PLUS)	RINSE PUMP 220-240V/50HZ (PLUS)
2	DW16043	#CONDENSATORE POMPA uf8	uf8 CONDENSER
3	DW15100/S	TENUTE ROTANTI EPDM(15100/DO)	EPDM ROTARY SEAL (15100/DO)
4	DW15100/T	OR EPDM(15100/DO)	O-RING EPDM (15100/DO)
5	DW15100/U	#GIRANTE 90X2.5 (15100/DO)	PUMP ROTOR 90X2.5 (DW15100/DO)
6	DW15100/V	#CHIOCCIOLA ANTE. (15100/DO)	SCROLL FOR PUMP 15100/DO
7	DW2907351	TUBO GOMMA EPDM 11,5X19	11,5X19 EPDM RUBBER HOSE
8	DW91111	ASS.TUBI ASPI. D.12 P2S-P3S-P4S8	
9	DW23235	STAFFA SUPP. POMPA A.P.	BOOSTER PUMP SUPPORT



PLATON SERVICE

8 (800) 500-34-41

www.platonservice.com





**LP3 S PLUS XP DDE PAP 380-400/3N/50 - DWI1000856 - Gruppo dosatore Brillantante - DW119E**

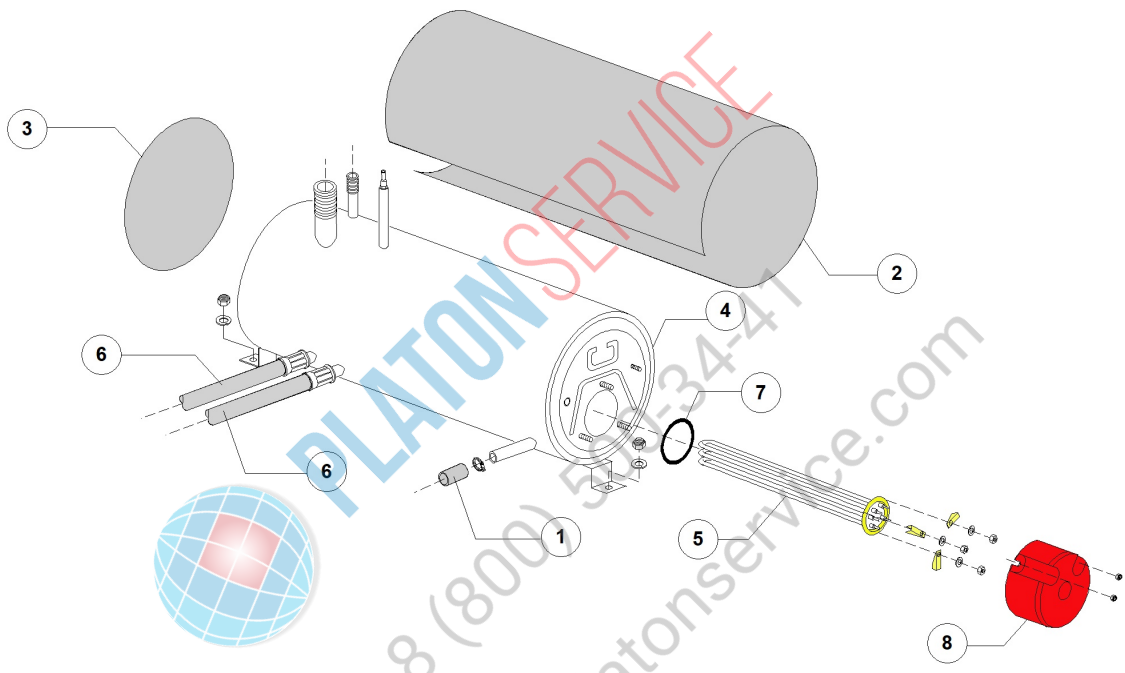
Pos.	Codice	Descrizione	Description
1	DW10799/G	DOSATORE BRILLANTANTE	RINSE AID DOSING PUMP
2	DW15058	FILTRINO CON PESO ASPIR. DET/BRIL	SMALL FILTER (MIN. 3 PCS)
3	DW540105	DERIV. 3VIE Y D.10-12-12 (DOSATORE)	Y-PIECE D.10-12-12
4	DW2907351	TUBO GOMMA EPDM 11,5X19	11,5X19 EPDM RUBBER HOSE
5	DW11807	FASCETTE AISI 430 12/22	CLAMP 12/22 AISI 430



**PLATON SERVICE**

8 (800) 500-34-41

[www.platonservice.com](http://www.platonservice.com)



LP3 S PLUS XP DDE PAP 380-400/3N/50 - DWI1000856 - Gruppo boiler - DW119E

Pos.	Codice	Descrizione	Description
1	DW10200293	TUBO EPDM 8X15 PER DOSATORE	8X15 EPDM PIPE
2	DW91116	COIBENTE BOILER (91104) 600X680	BOILER INSULATING 600X680
3	DW91115	DISCO IN ESPANSOLENE AUTOESTING.D.190X3	INSULATING DISK D.190
4	DW91104	BOILER ATMOSFERICO D190x680 BA(AISI 316)	ATMOSPHERIC BOILER D190x680 BA(AISI 316)
5	DW30001010	RESIST.6000/6530W 230/240V 3	6000/6530W 230/240V 3 HEATING ELEM.
5	DW30001011/A	RESIST.12000/13070W 230/240V 3	12000/13070W 230/240V 3 HEATING ELEM.
6	DW91111	ASS.TUBI ASPI. D.12 P2S-P3S-P4S8	
7	DW13015	GUARNIZIONE 6225 OR 160 NBR	6225 O-RING 160 NBR
8	DW75311	CUFFIOTTO PER RESISTENZA 26/03/97	HEATING ELEMENT COVER

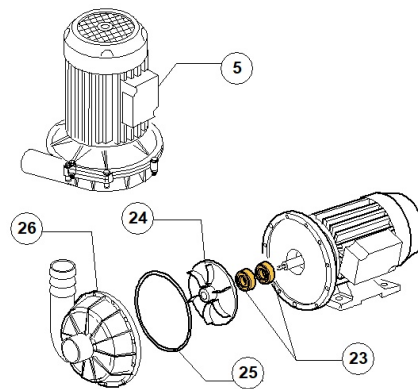
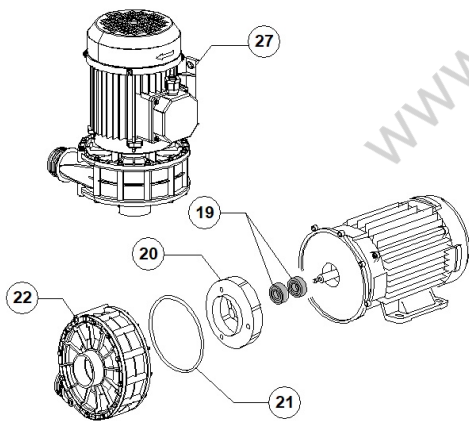
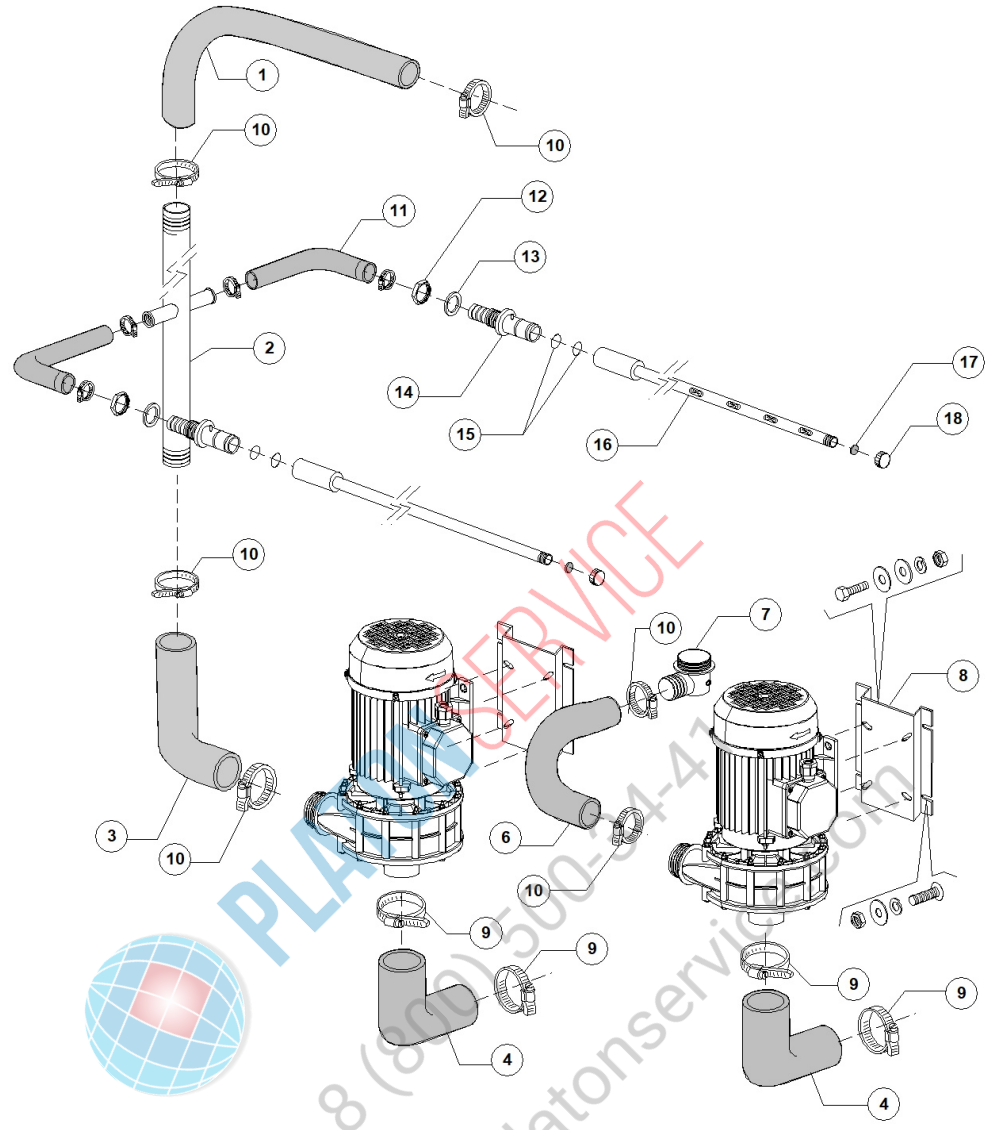


PLATON SERVICE

8 (800) 500-34-41

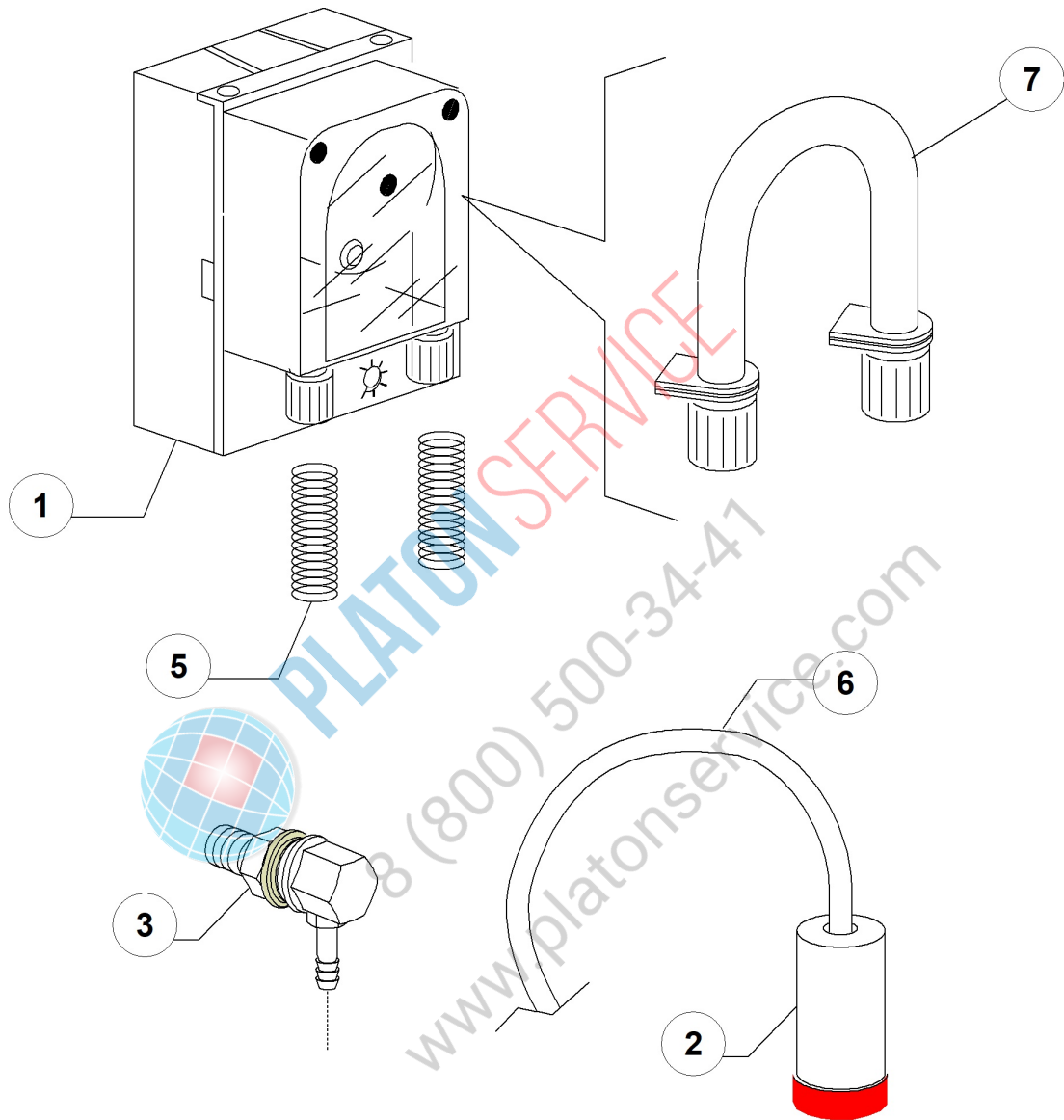
www.platonservice.com

LP3 S PLUS XP DDE PAP 380-400/3N/50 - DWI1000856 - Gruppo pompa di lavaggio - DW119E



LP3 S PLUS XP DDE PAP 380-400/3N/50 - DWI1000856 - Gruppo pompa di lavaggio - DW119E

Pos.	Codice	Descrizione	Description
1	DW91106	MANICOTTO MANDATA A L 45/45	DELIVERY PIPE COUPLING 45/45
2	DW92101	RAMPA LAVAGGIO P3S	
3	DW92102	MANICOTTO MANDATA A L 50/45	DELIVERY PIPECOUPLING 50/45
4	DW3002020	EPDM D.60 MANICOTTO A GOMITO EPDM D.60	ELBOW PIPE COUPLING D.60
5	DW88106	POMPA HP2.7 220/380-400 50HZ (1205)	PUMP HP2.7 220/380-400V/50HZ
6	DW92103	MANICOTTO MANDATA INF. P3S	
7	DW90008	TORRET.INF/SUP.PER GIRELLO LP1 S-S8	WASH ARMS'LOWER / UPPER SUPPORT P1S/S8
8	DW11600623	STAFFA SUPPORTO POMPA G12	PUMP SUPPORT G12
9	DW2902491	FASCETTA AISI-430 60/80	CLAMP 60/80 AISI 430
10	DW11824	FASCETTA AISI 430 50-70	CLAMP 50/70 AISI 430
11	DW92104	MAN.MANDATA BRACCI LAT.P3S-P4S8	SIDE ARMS PIPE COUPLING
12	DW2200103	DADO 3/4 ES.32X8 OTTONE PER TRAINO	HEXAGONAL BRASS NUT 3/4
13	DW13326	GUARNIZIONE D.38X27X2	GASKET D.38X27X2
14	DW92106	INNESTO MASCHIO TUBO LAV.P3S-P4S8	WASH ARM COUPLING
15	DW13025	GUARNIZIONE OR 2081	O-RING 2081
16	DW92105	TUBO LAVAGGIO LATERALE INF. P3S	
17	DW2002051	GUARN. EPDM TAPPO RISC. D.17,5X1,5	GASKET EPDM D.17,5X1,5
18	DW2002054	TAPPO M18X1 D21X9	PLUG M18X1 D21X9
19	DW15080	PREMISTOPA+CONTROFACCIA	ROTATING SEALS
20	DW88222/O	#GIRANTE POMPA HP2.7 (88106) OLYMPIA	PUMP ROTOR
21	DW10200290/O	#GUARN.OR POMPA MEC80.T200SX(OLYMPIA)	GUARN.OR POMPA MEC80.T200SX(OLYMPIA)
22	DW88220/O	#KIT CHIOCCIOLA POMPA 2.7HP(88106)OLYMPI	
23	DW15080	PREMISTOPA+CONTROFACCIA	ROTATING SEALS
24	DW88222	#GIRANTE POMPA HP2.7 F1205 (88106)	PUMP ROTOR
25	DW10200290	#GUARNIZIONE OR POMPA 1225	OR 1225 GASKET
26	DW88220	#CHIOCCIOLA POMPA 1205 2.7HP	
27	DW88106	POMPA HP2.7 220/380-400 50HZ (1205)	PUMP HP2.7 220/380-400V/50HZ



**LP3 S PLUS XP DDE PAP 380-400/3N/50 - DWI1000856 - Dosatore detersivo - DW119E**

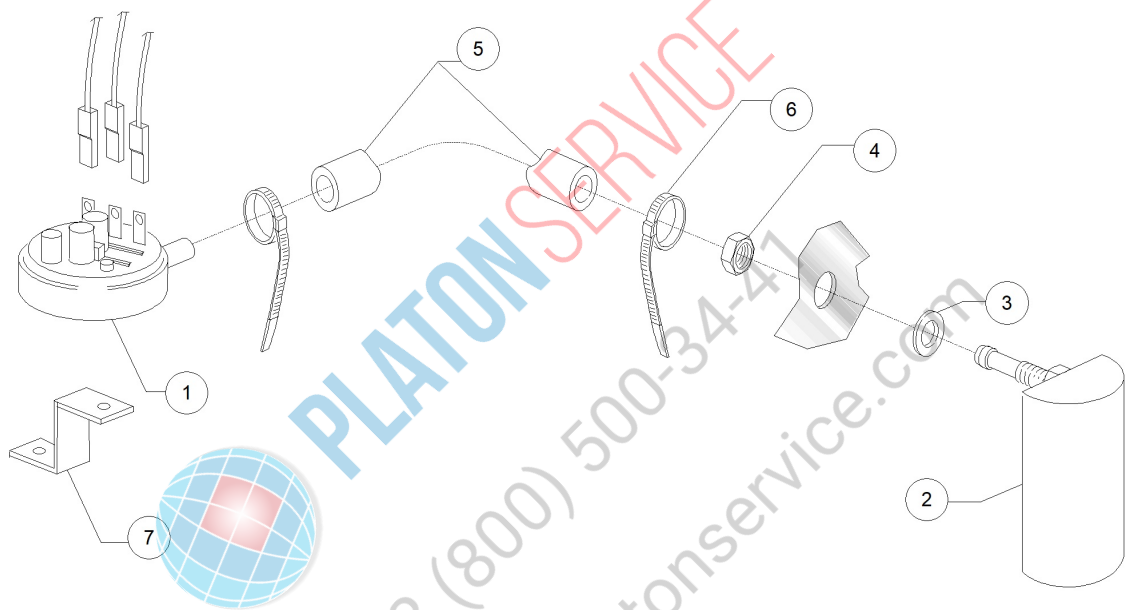
Pos.	Codice	Descrizione	Description
1	DW15985	DOS.ELETT.DET REGOLABILE 0-3LT/H	DETERGENT DOSING PUMP 0-3L/H
2	DW15058	FILTRINO CON PESO ASPIR. DET/BRIL	SMALL FILTER (MIN. 3 PCS)
3	DW15123	INIETTORE DETER. A GOMITO INOX	S/S DOSING PUMP INJECTOR
5	DW10763	MOLLA D.05 INOX PER TUB. D.6x4 PVC	PIPE S/S SPRING
6	DW14503	TUBO PVC DIAM.6x4 TRASPARENTE	D.6X4 PVC TRANSPARENT HOSE
7	DW15108/E	TUBO TERMOPLASTICO DDE GERMAC	GERMAC DISPENSER THERMOPLASTIC HOSE
7	DW15185	TUBO MEMBRANA DDE SEKO DET.	SEKO DISPENSER THERMOPLASTIC HOSE
7	DW15297	TUBO MEMBRANA DDE SEKO 04/2013	SEKO DISPENSER THERMOPLASTIC HOSE
7	DW15297/T	TUBO TERMOPLASTICO DDE TECNOPRO	TECNOPRO DISPENSER THERMOPLASTIC HOSE
7	DW15985/A	#TUBO TERMOPLASTICO DDE MICRODOS	MICRODOS THERMOPLASTIC PIPE



**PLATON SERVICE**

8 (800) 500-34-41

[www.platonservice.com](http://www.platonservice.com)





**LP3 S PLUS XP DDE PAP 380-400/3N/50 - DWI1000856 - Pressostato - DW119E**

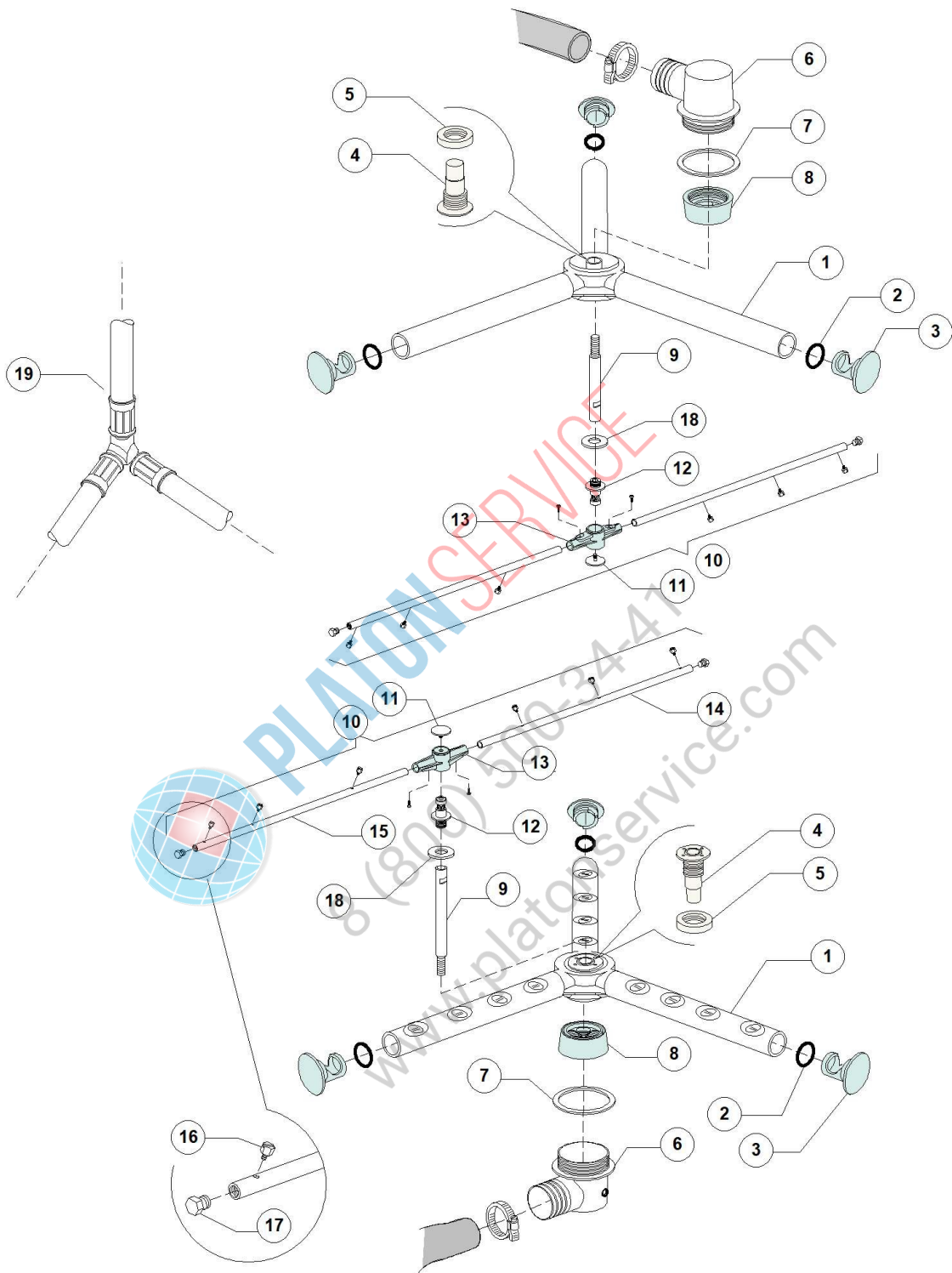
Pos.	Codice	Descrizione	Description
1	DW88110	PRESSOSTATO 250-40	PRESSURE SWITCH 250-40
2	DW135911	ASSIEME GABBIA D'ARIA GRIGIA L90	GREY AIR TRAP ASSEMBLY L90
3	DW13301	GUARNIZ. IN FASTIT 202 D14x8x1,5	O-RING ROLMART D14X8X1,5
4	DW11702	DADO M8 INOX UNI5588 DIN934	S/S NUT M8 DIN934 (MIN. 20 PCS)
5	DW14508	TUBO EPDM 4.5X9 PER PRESSOSTATO	EPDM HOSE 4.5X9 FOR PRESSURE SWITCH
6	DW10738	FASCETTA PLASTICA 98X2.5	PLASTIC CLAMP 98X2,5
7	DW3009363	SUPPORTO PRESSOSTATO	PRESSURE-SWITCH SUPPORT



**PLATON SERVICE**

8 (800) 500-34-41

[www.platonservice.com](http://www.platonservice.com)

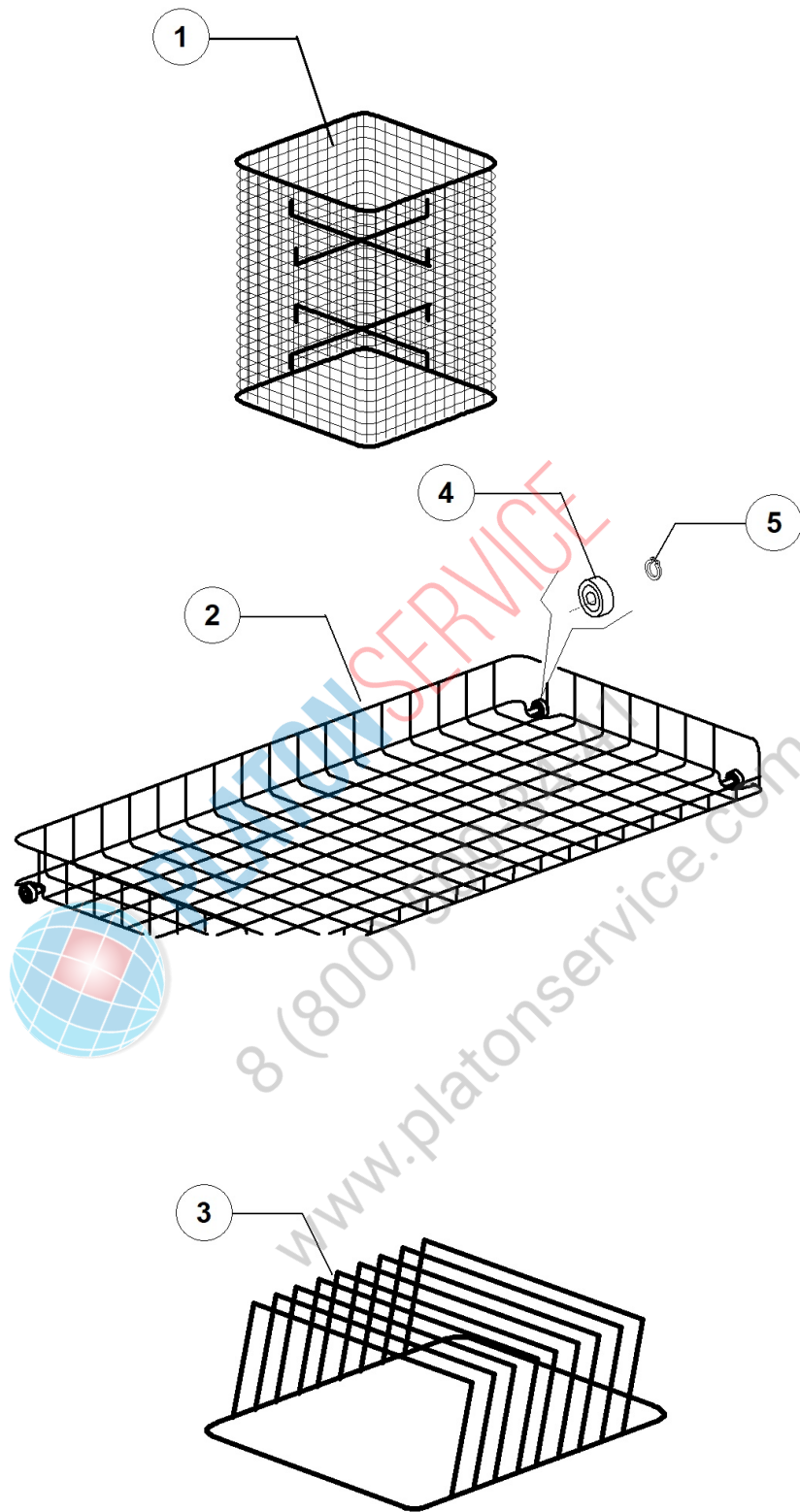


LP3 S PLUS XP DDE PAP 380-400/3N/50 - DWI1000856 - Gruppo lavaggio-risciacquo - DW119E

Pos.	Codice	Descrizione	Description
1	DW91102	GIR.LAV.SUP/INF P2S-P3S-P4S8	UPPER/LOWER WASH ROTOR P2S-P3S-P4S8
2	DW13023	GUARNIZ. OR 131 (4093)	O-RING 131 (4093) GASKET
3	DW3003029	TAPPO X LANCIA LAVAGG.D32 28/03/97	PLASTIC PLUG FOR WASH ARM
4	DW75316	MOZZO PER GIRANTE 11S/96	HUB FOR ROTOR 11S/96
5	DW75317	DADO PER MOZZO GIR. 11S/96	NUT FOR ROTOR HUB 11S/96
6	DW90008	TORRET.INF/SUP.PER GIRELLO LP1 S-S8	WASH ARMS'LOWER / UPPER SUPPORT P1S/S8
7	DW80208	GUARNIZIONE RAMPA LP2 DIAM.95X75X3	RISER GASKET D.95X75X3 (MIN. 2 PCS)
8	DW90009	MOZZO FISSAGGIO TORRETTA LP1 S-S8	HUB FOR ROTOR
9	DW90010	PROLUNGA ASSE RIS.INF/SUP LP1 S-S8	UPPER/LOWER RINSE AXLE EXTENSION P1S/S8
10	DW91103	GRUPPO RISC.SUP/INF P2S-P3S-P4S8	UPPER/LOWER RINSE ASSEMBLY P2S/P3S/P4S8
11	DW10652	VITE RISCIAQUO/03	RINSE ARM SCREW
12	DW10651	ASSE RISCIAQUO/03	RINSE AXLE 03
13	DW10650	MOZZO PER GIRANTE RISCIAQUO/03	HUB FOR RINSE ROTOR 03
14	DW91103/D	TUBO RISC.DX UGELLI INOX/03(91103)	
15	DW91103/S	TUBO RISC.SX UGELLI INOX/03(91103)	
16	DW560018	UGELLO INOX RISCIAQUO M5	S/S RINSE NOZZLE M5
17	DW560017	TAPPO PER TUBO RISCIAQUO M9x1	RINSE ARM PLUG
18	DW90031	RONDELLA X SCORRIM.GIR.R.LP 1 S-S8	SLIDING WASHER P1S/P1S8
19	DW91110	ASS.TUBI RISC.D.12 P2S-P3S-P4S8	RINSE PIPE ASSEMBLY D.12



PLATON SERVICE  
 8 (800) 500-3447  
 www.platonservice.com



LP3 S PLUS XP DDE PAP 380-400/3N/50 - DWI1000856 - Cesti - DW119E

Pos.	Codice	Descrizione	Description
1	DWC86/A	CESTELLO PORTA SPATOLE INOX	S/S SPATULA BASKET
2	DW92100	CESTO 850X725X130 SU RUOTE P3S	
3	DWC97/A	INSERTO INOX PER VASSOI 8P.	S/S TRAY SUPPORT 8 PCS
4	DW89919	RUOTA PER CESTO LP3/LP4	WHEEL FOR BASKET P3S/P4S8
5	DW11815	SEEGER DIAM.8 INOX UNI7435	SNAP RING D.8 S/S



PLATON SERVICE

8 (800) 500-34-47

[www.platonservice.com](http://www.platonservice.com)



**PLATON**SERVICE

8 (800) 500-34-47

[www.platonservice.com](http://www.platonservice.com)

